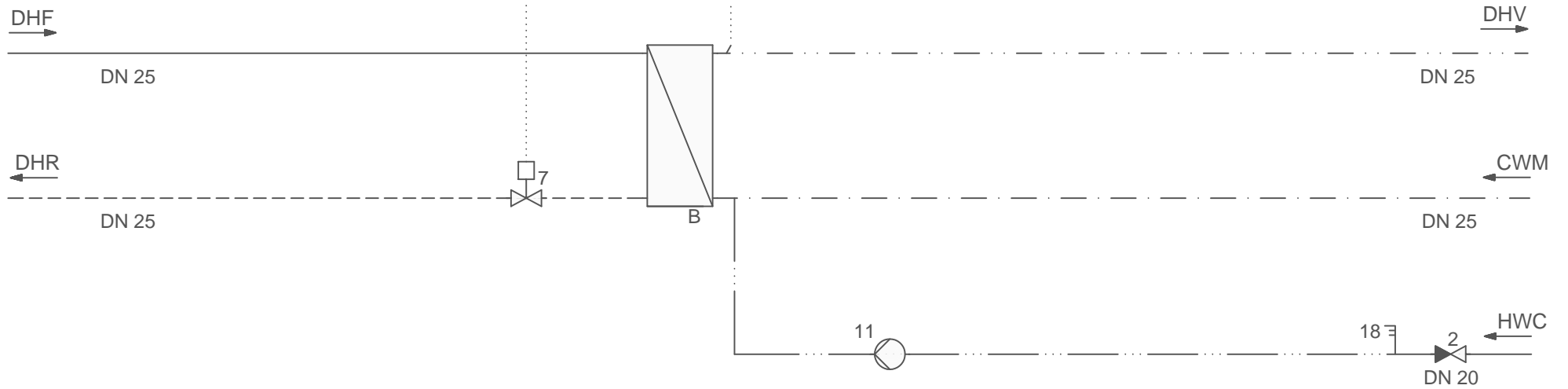


- B Water heater
- 2 Single check valve
- 7 Thermostatic valve

- 11 Domestic hot water pump
- 18 Thermometer



**Gemina • Termix**  
 Navervej 15-17 DK 7451 Sunds  
 Tlf.+4597141444 Fax+4597141159  
 mail@termix.dk

Contr.: xx xx xx xx	Date: xx xx xx	Sign: xxxx
------------------------	-------------------	---------------

Drwg. no.:  
BV 2-3 T UK

Title:  
Termix BV-unit type 2 & 3 T-CP (20T)

Diagram		
District Heating substation		
Rev:	Date:	Sign.: